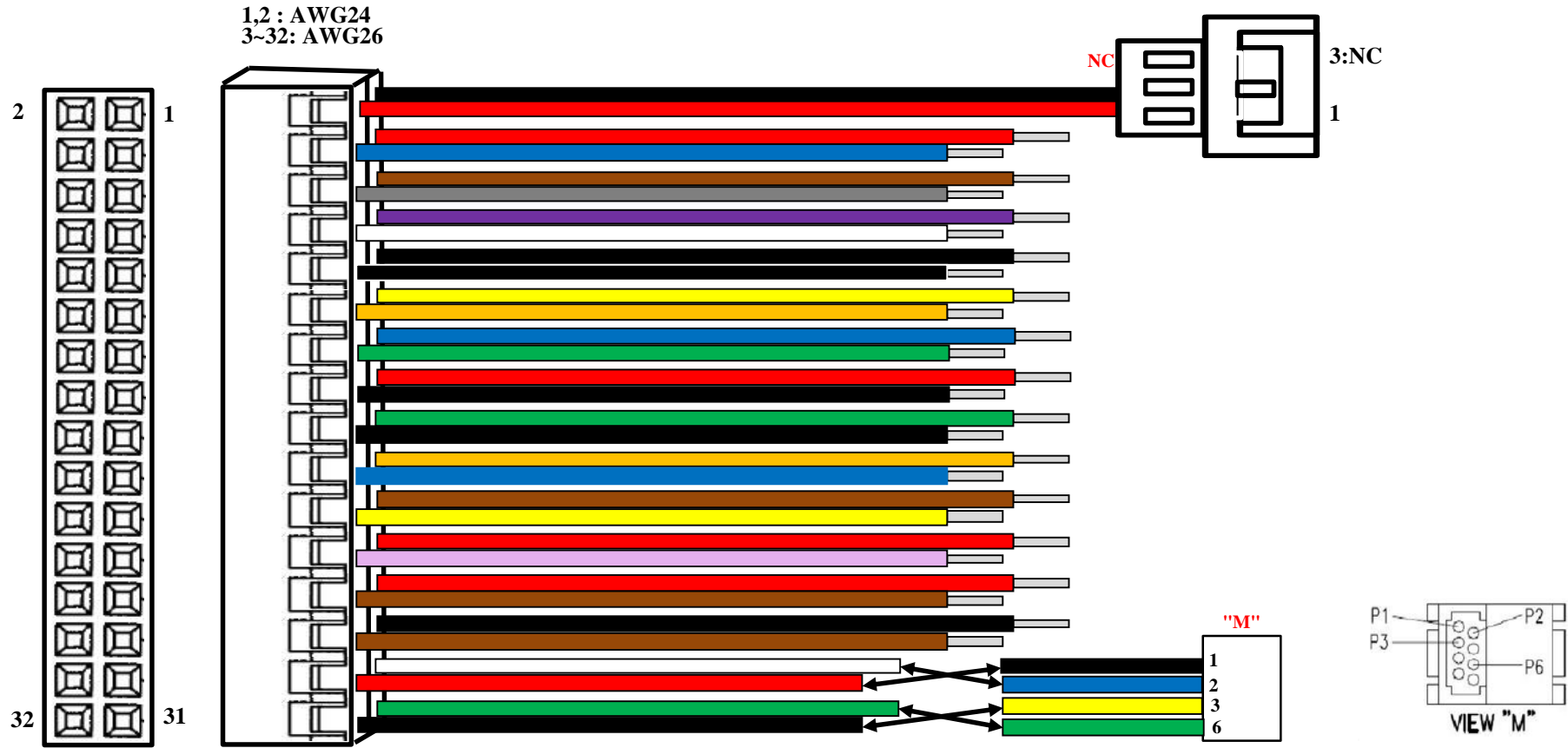

Installation & Wiring Guide

Card Reader MiKey-AC1100



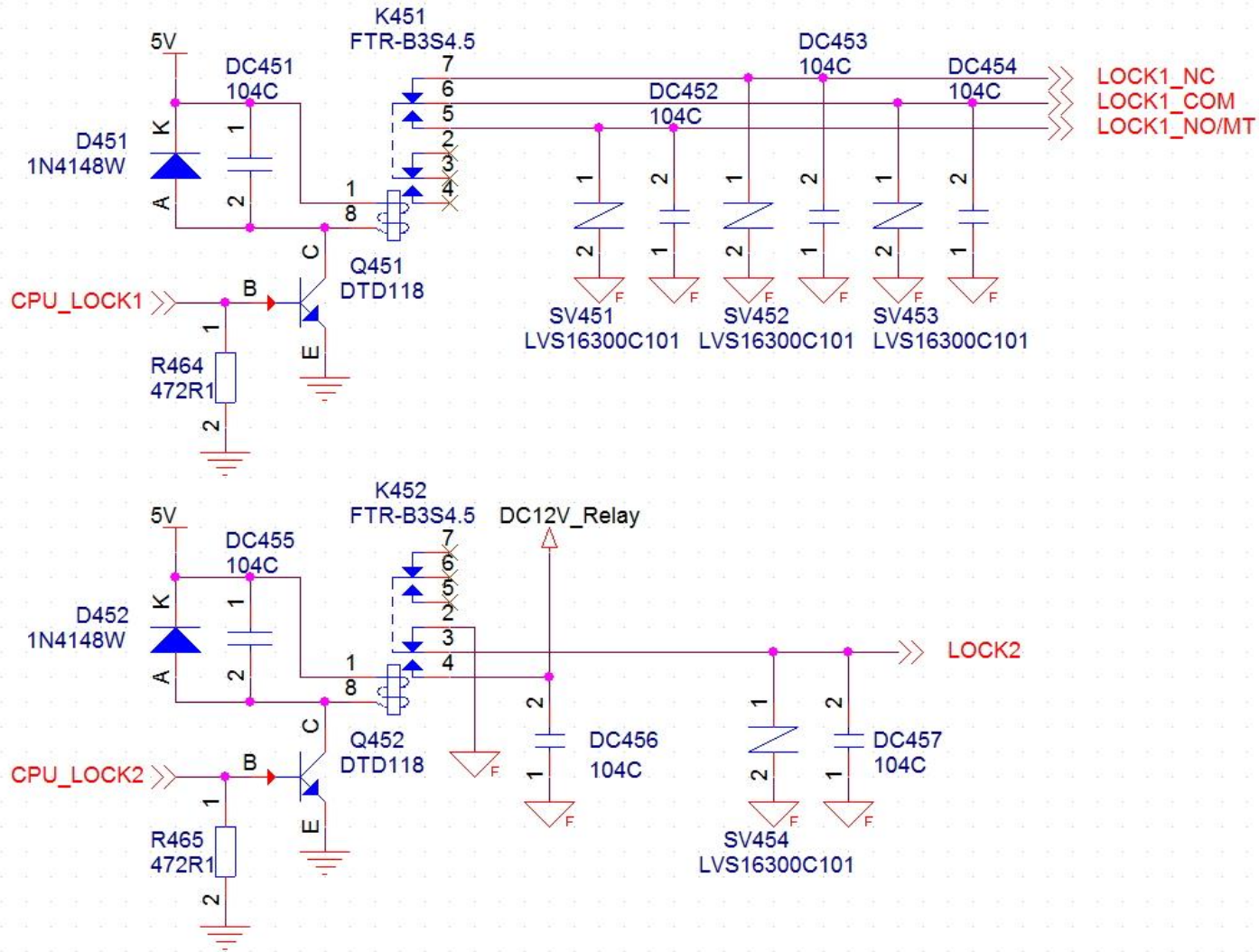
*Doc. Ver. : V1.0
Jun.,28.2016
R&D Center*

1. Cable Descriptions



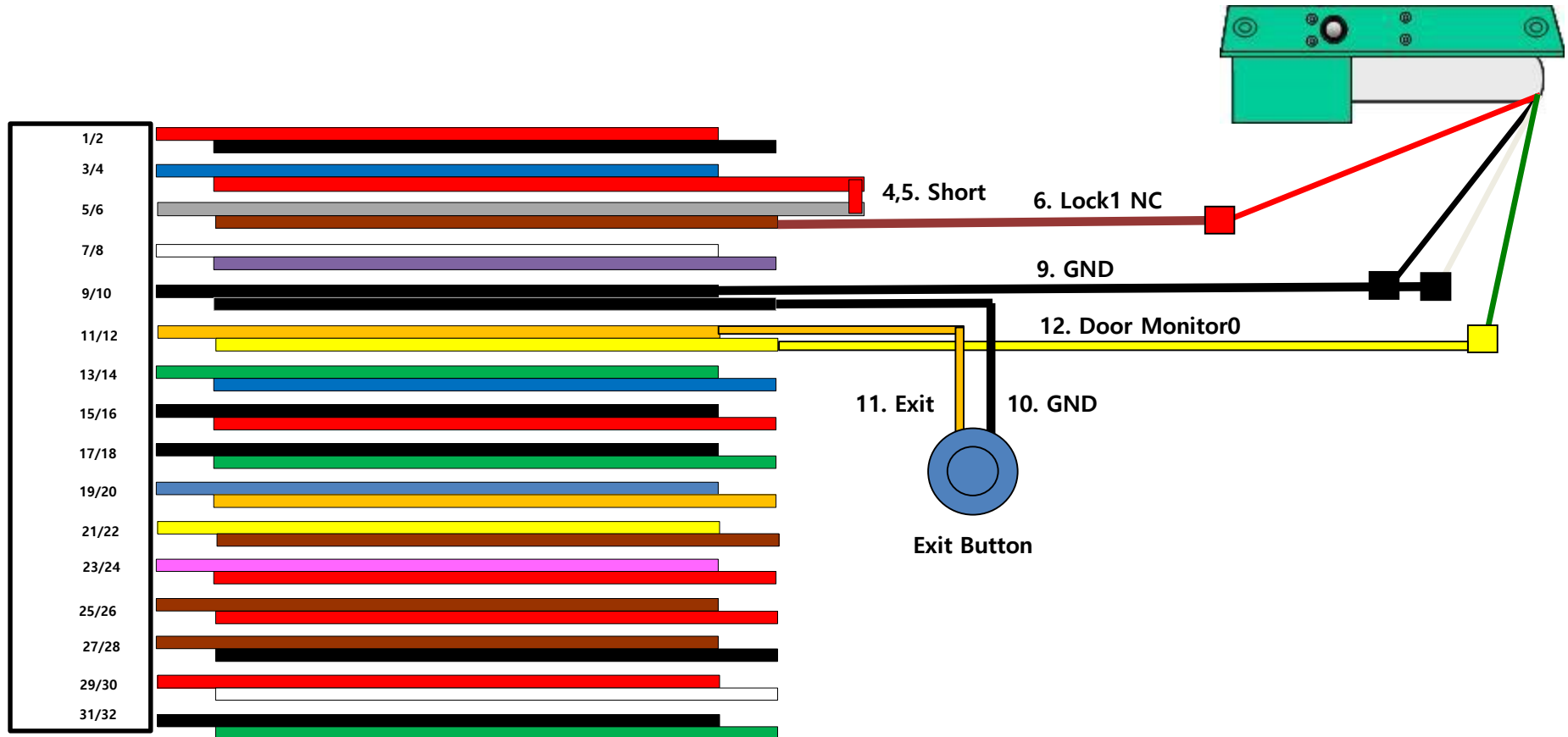
1	Red / 12V IN	9	Black / GND	17	Black / GND	25	Brown / RS232(D) RX
2	Black / GND	10	Black / GND	18	Green / RS485A	26	Red / RS232 TX
3	Black / GND	11	Orange / Exit	19	Blue / RS485B	27	Brown / RS232 RX
4	Red / 12V Out	12	Yellow / Door M0	20	Orange / Wiegand Out0	28	Black / GND
5	Gray / Lock1 COM	13	Green / Door M1	21	Yellow / Wiegand Out1	29	Black(#1,W/O) / ETH TXP
6	Brown / Lock1 NC	14	Blue / Door M2	22	Brown / Wiegand IN0	30	Blue(#2,O) / ETH TXN
7	White / Lock1 NO	15	Black / GND	23	Pink / Wiegand IN1	31	Yellow(#3,W/G) / ETH RXP
8	Violet / Lock2	16	Red / 5V Out	24	Red / RS232(D) TX	32	Green(#6,G) / ETH RXN

2. Schematic for Door Lock Interface



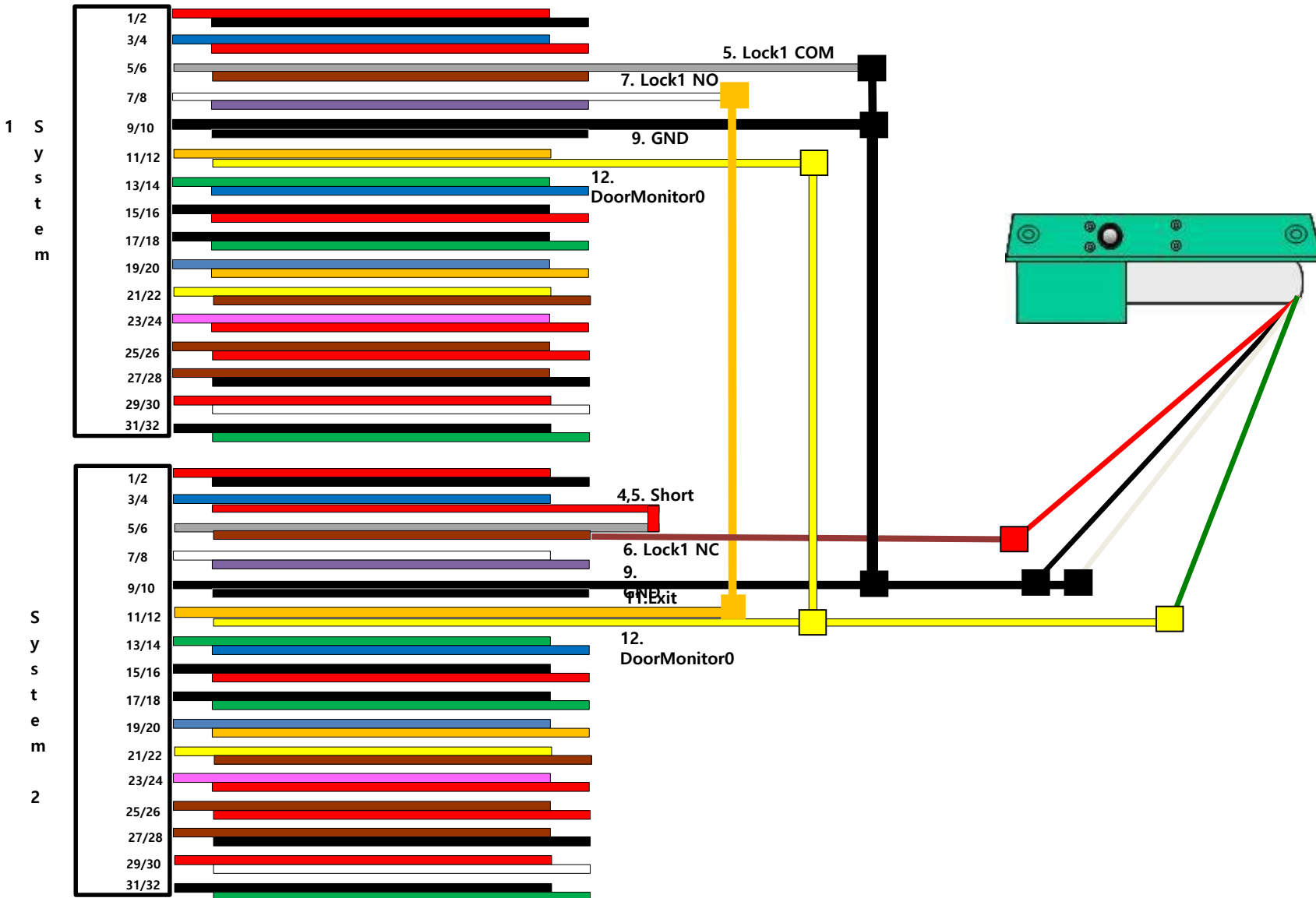
3. Connecting Dead-Bolt Type Door Lock (Fail Safe)

3.1. Connecting One System/ One Lock



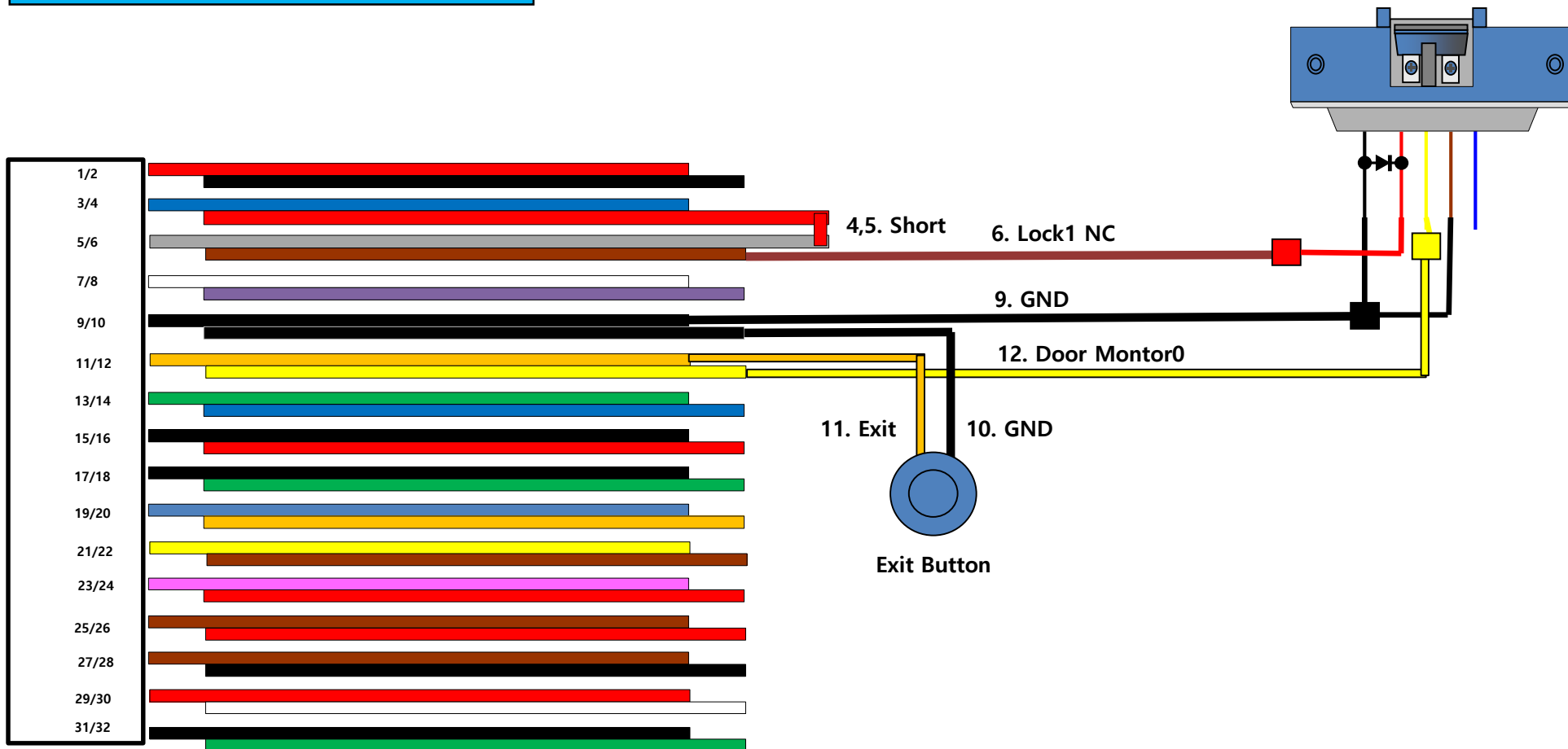
3. Connecting Dead-Bolt Type Door Lock (Fail Safe)

3.2. Connecting Two Systems/ One Lock



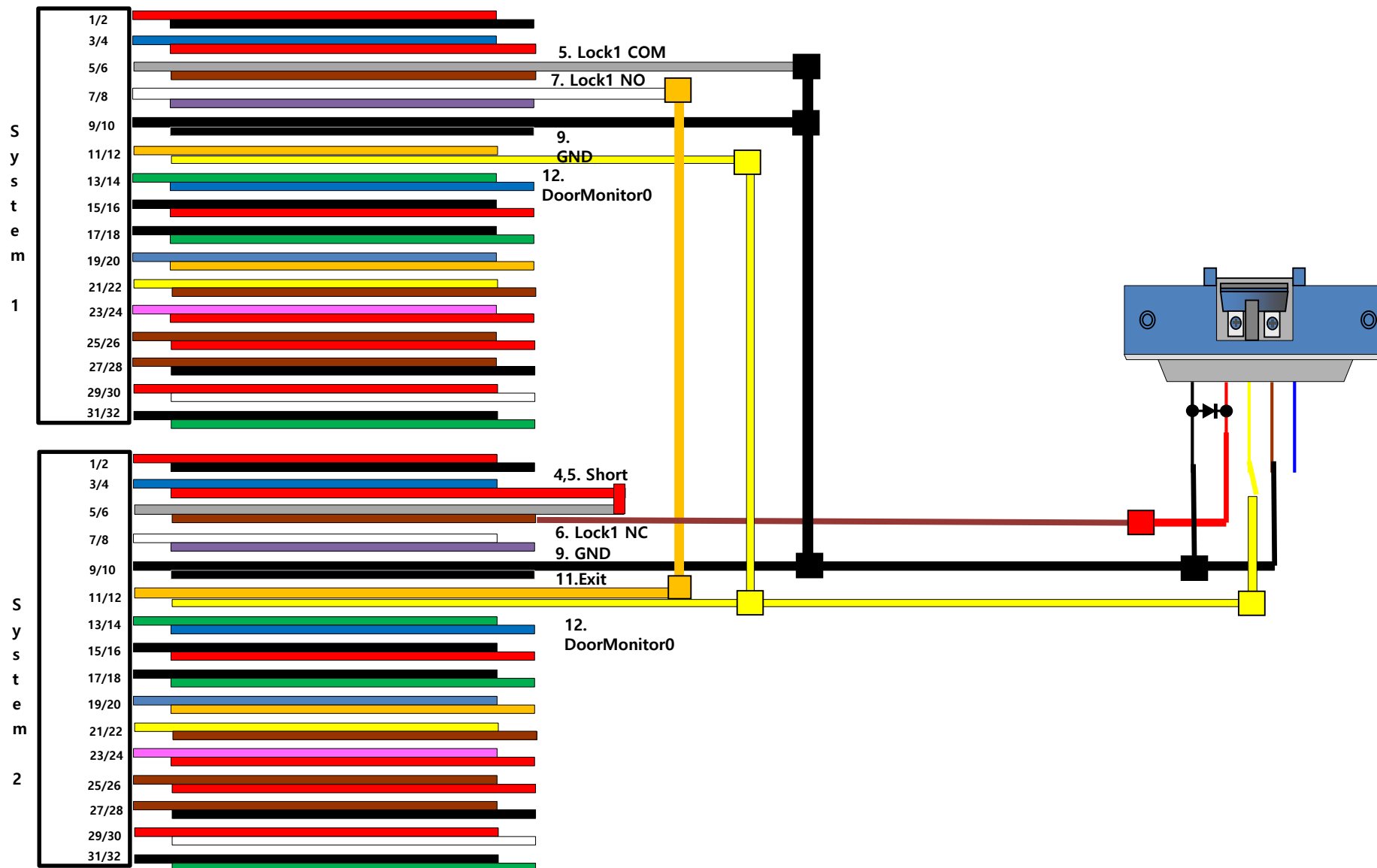
4. Connecting Strike Type Door Lock (Fail Safe)

4.1. Connecting One System/ One Lock



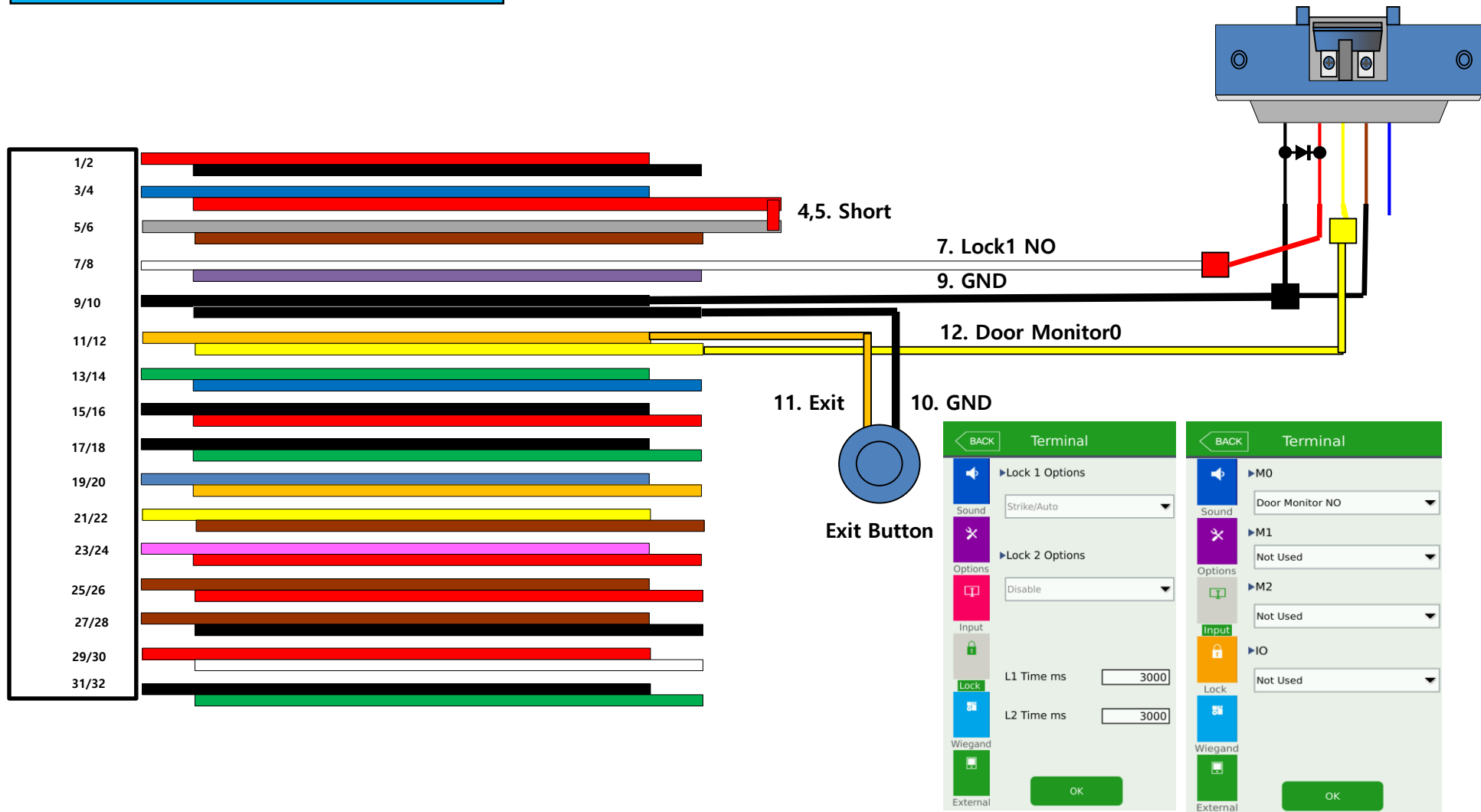
4. Connecting Strike Type Door Lock (Fail Safe)

4.2. Connecting Two Systems/ One Lock



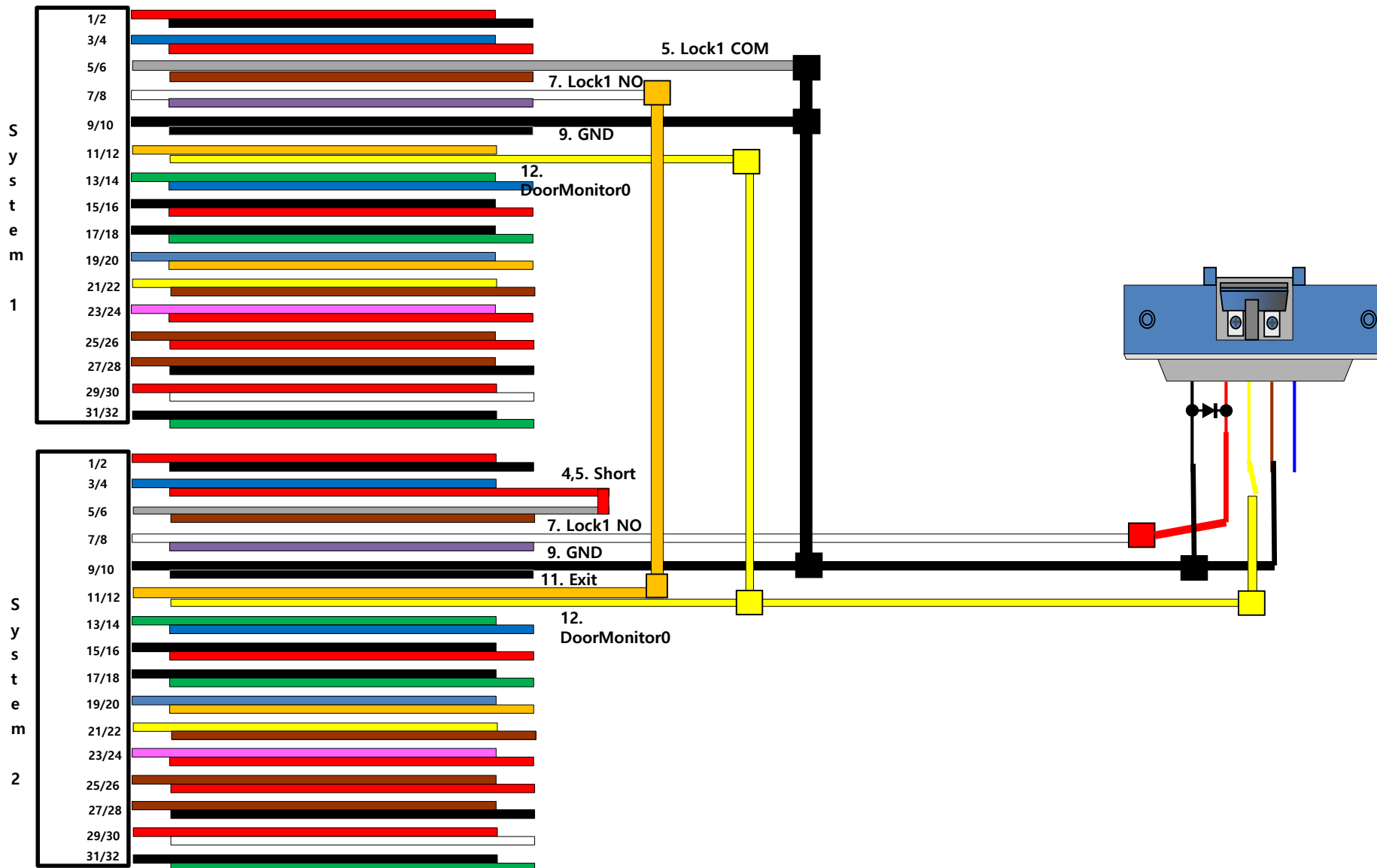
5. Connecting Strike Type Door Lock (Fail Secure)

5.1. Connecting One System/ One Lock



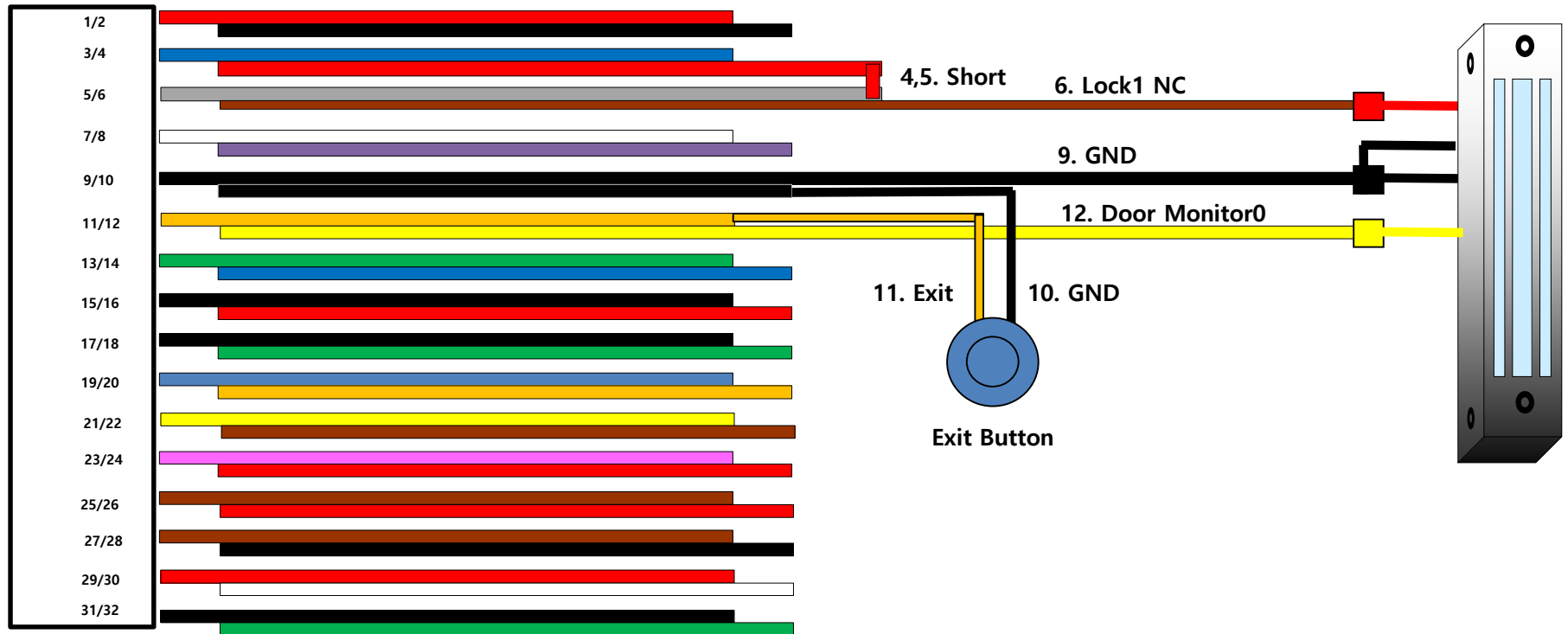
5. Connecting Strike Type Door Lock (Fail Secure)

5.2. Connecting Two Systems/ One Lock



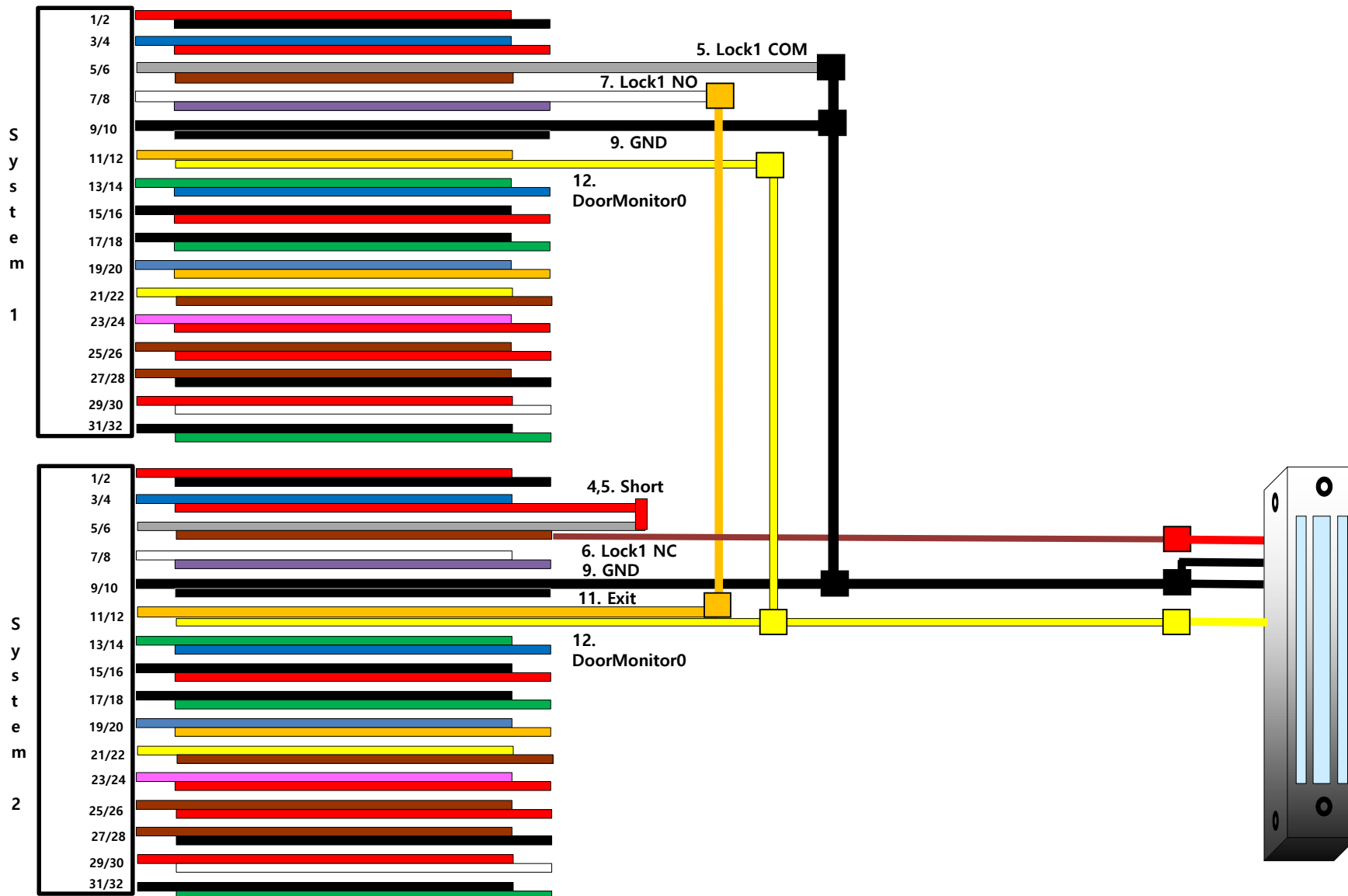
6. Connecting an EM Type Door Lock (Fail Safe)

6.1. Connecting One System/ One Lock



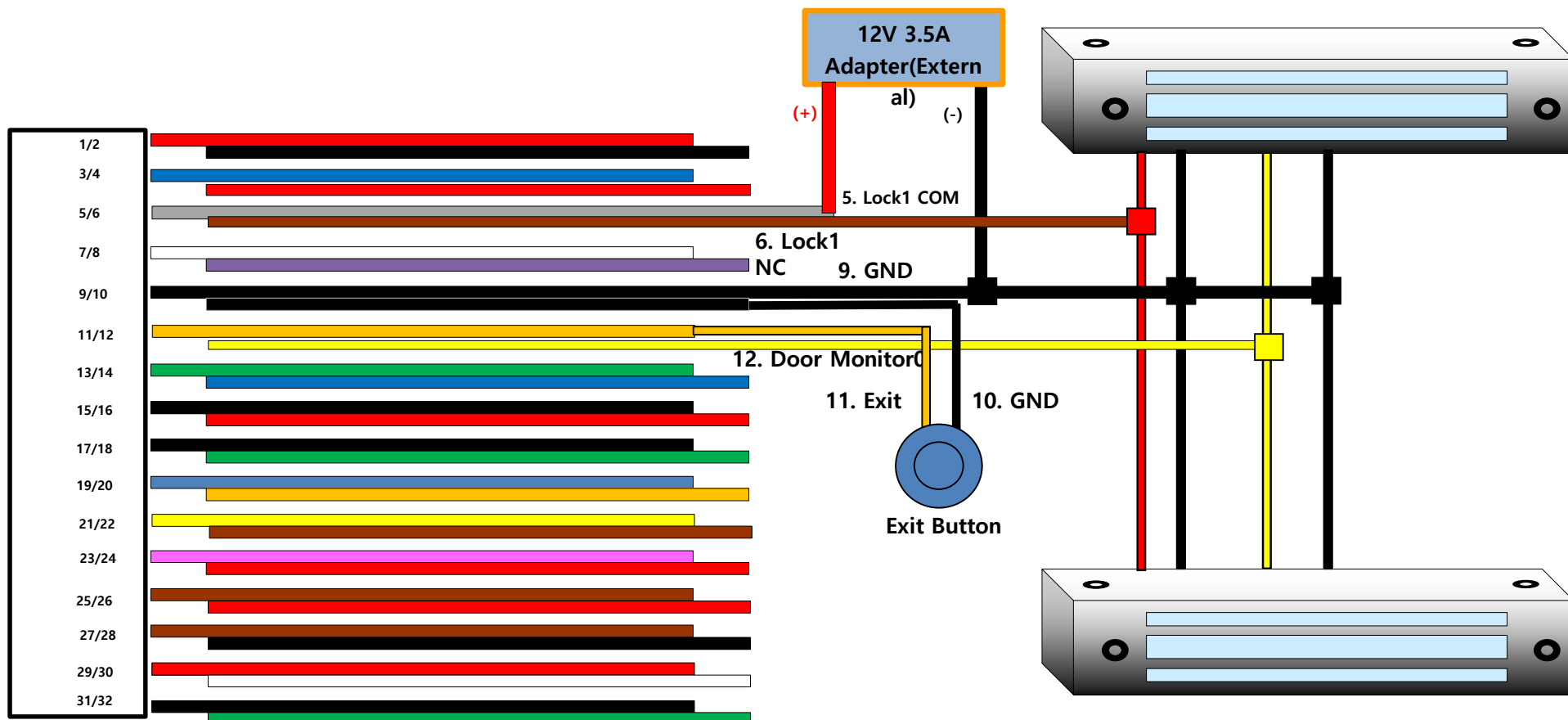
6. Connecting an EM Type Door Lock (Fail Safe)

6.2. Connecting Two Systems/ One Lock



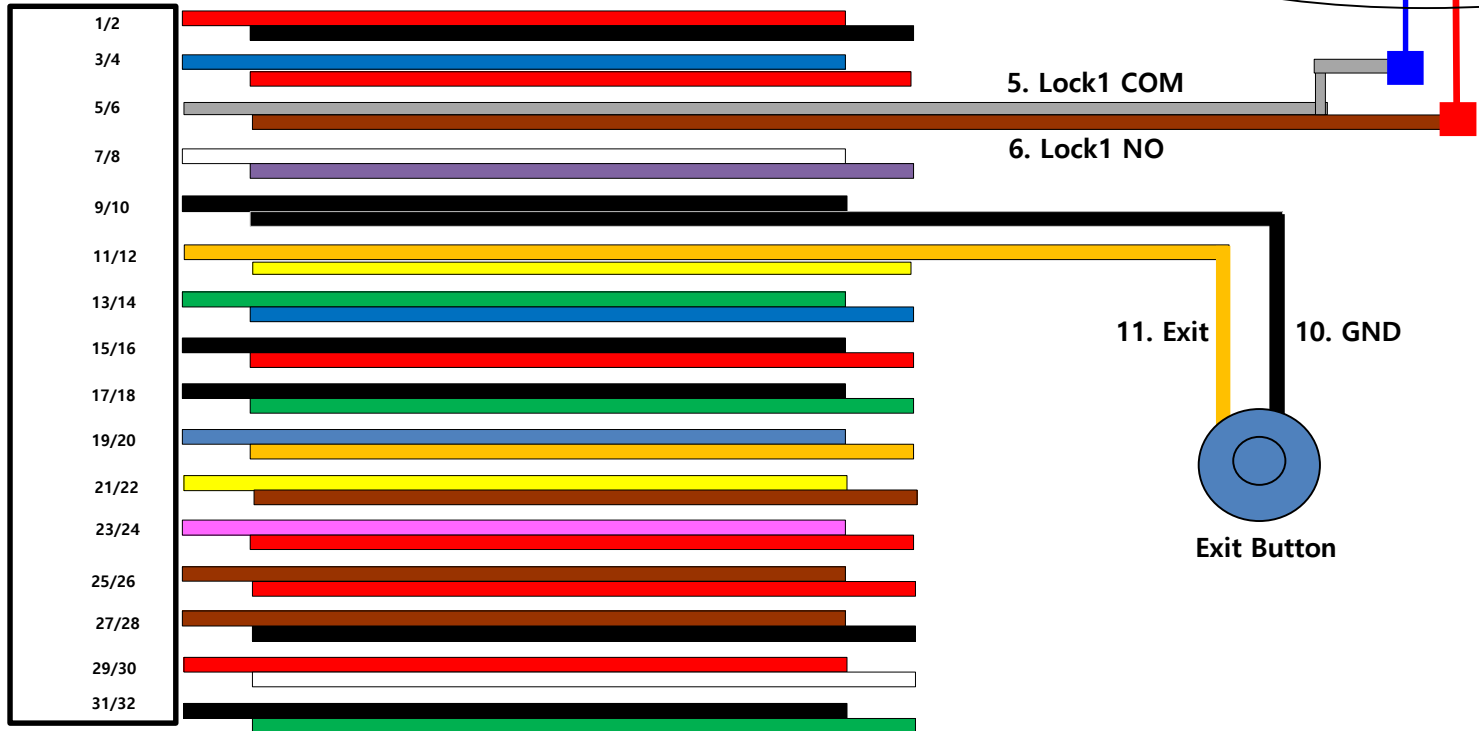
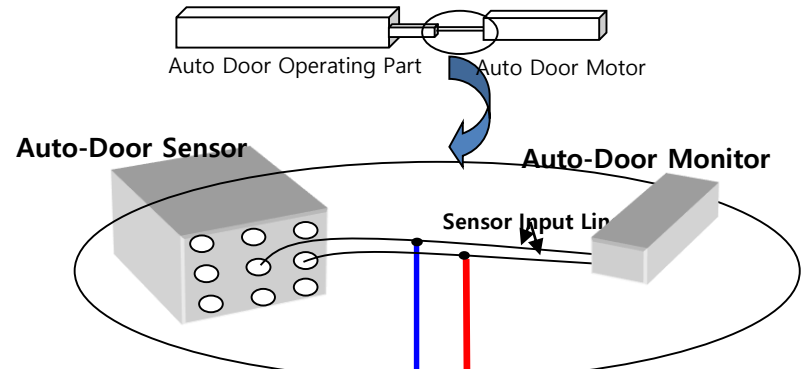
6. Connecting an EM Type Door Lock (Fail Safe)

6.3. Connecting One System/ Two Locks “ Use external DC Power adapter”

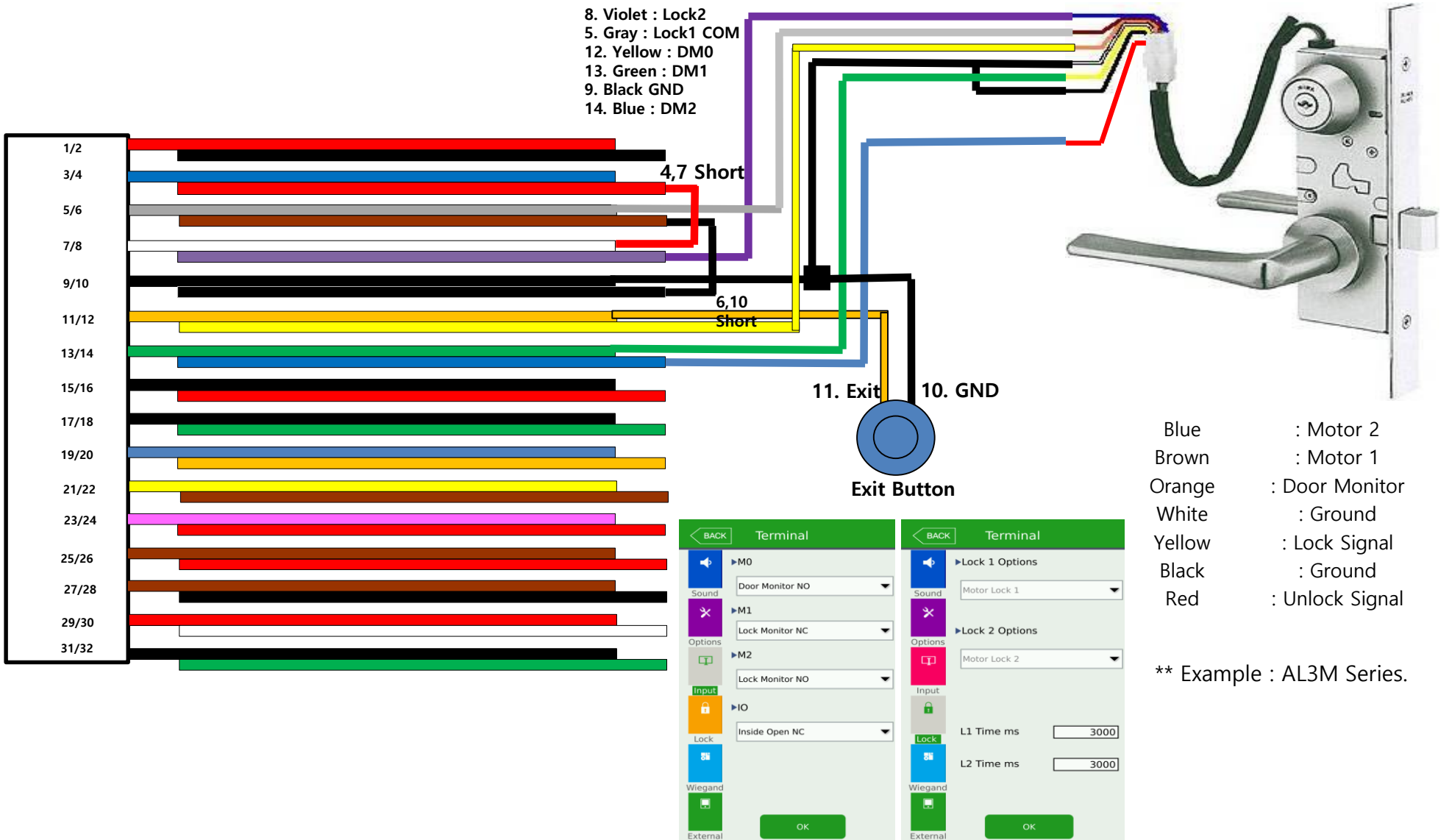


7. Connecting Auto-Door (Contact Control)

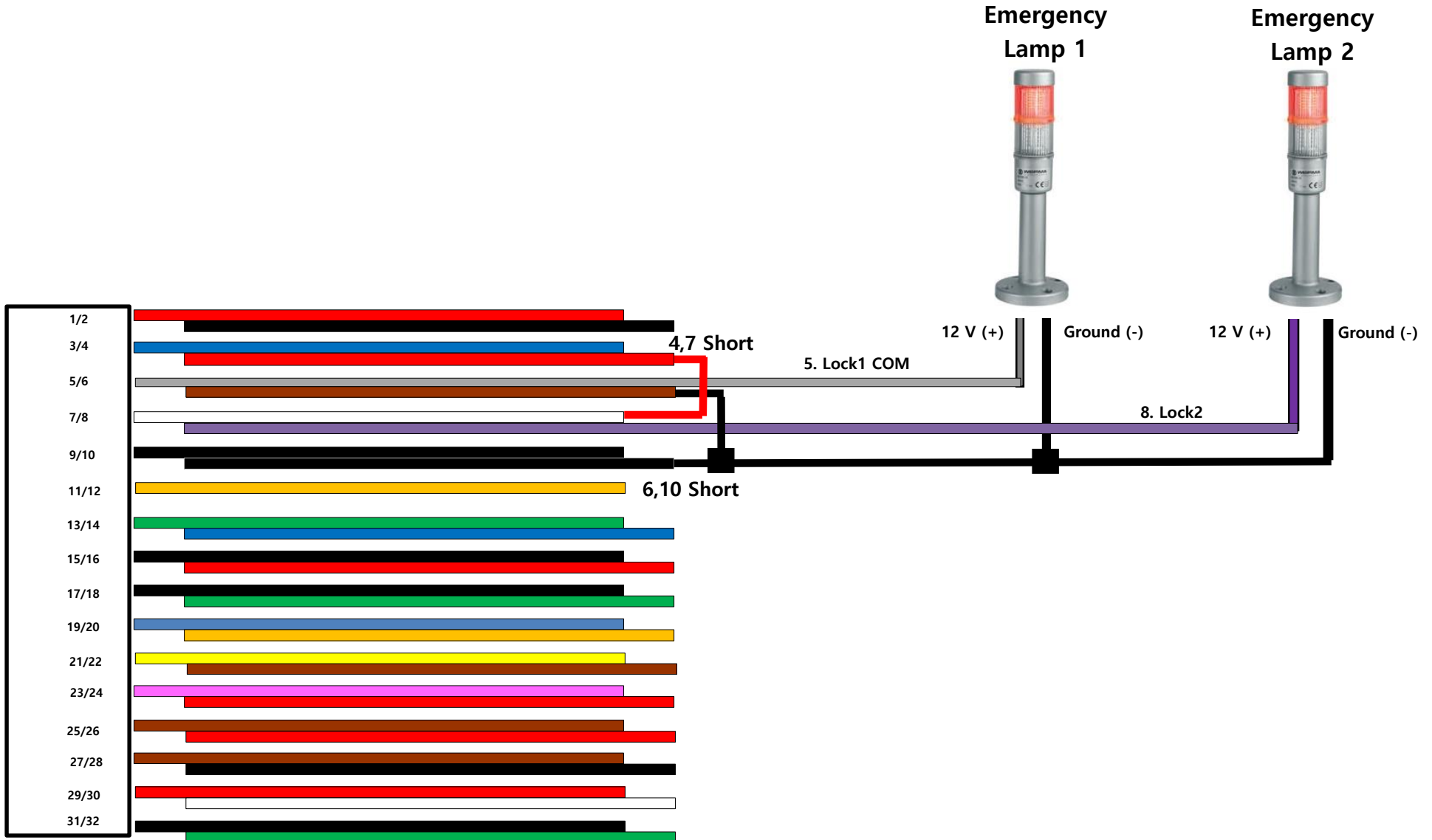
7.1. Connecting One System/ One Door



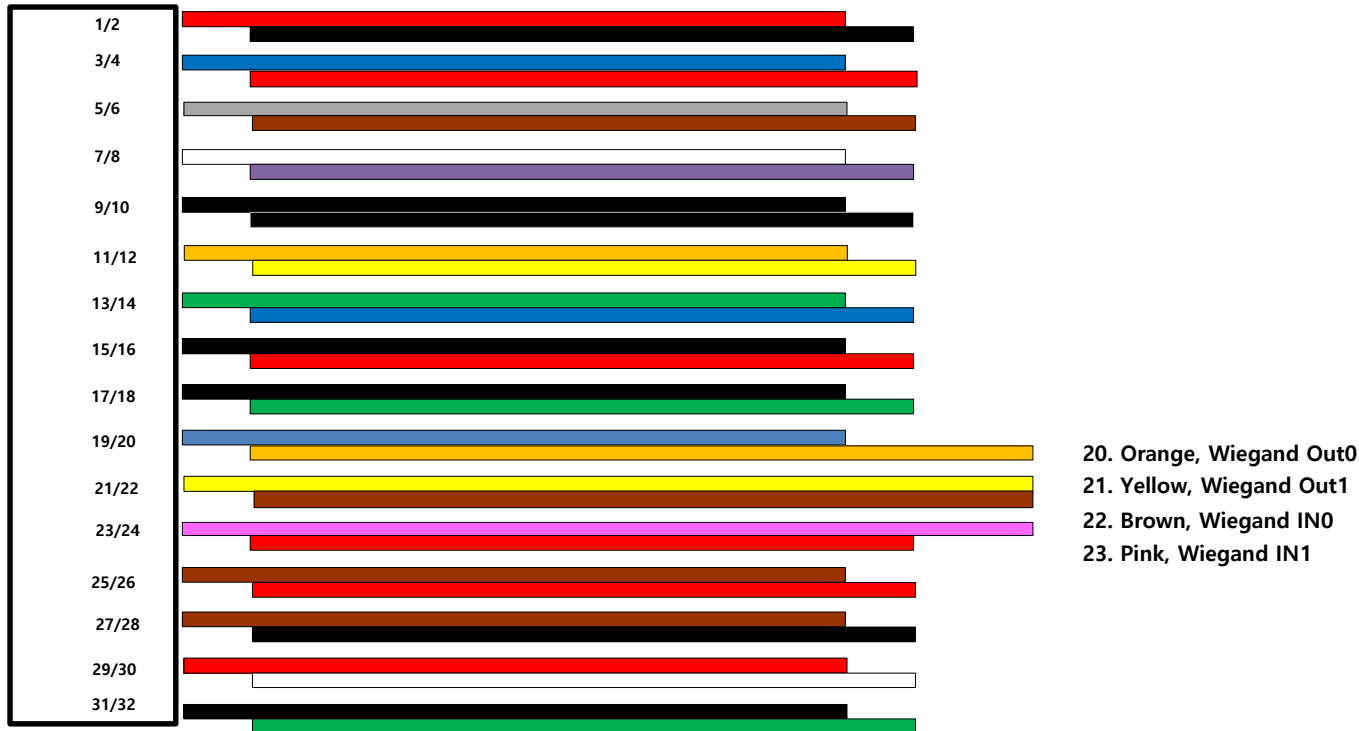
8. Connecting Motorized Lock



9. Connecting Two Emergency Lamp



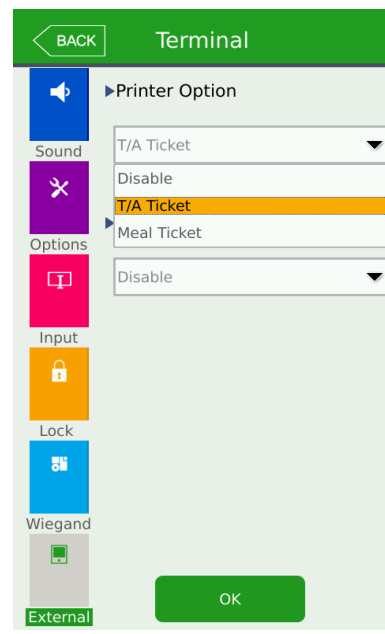
10. Connecting Wiegand IN/OUT to External Controller



11. Connecting RS232 TX/RX to External Printer



26. Red, RS232 TX
 27. Brown, RS232 RX
 28. GND

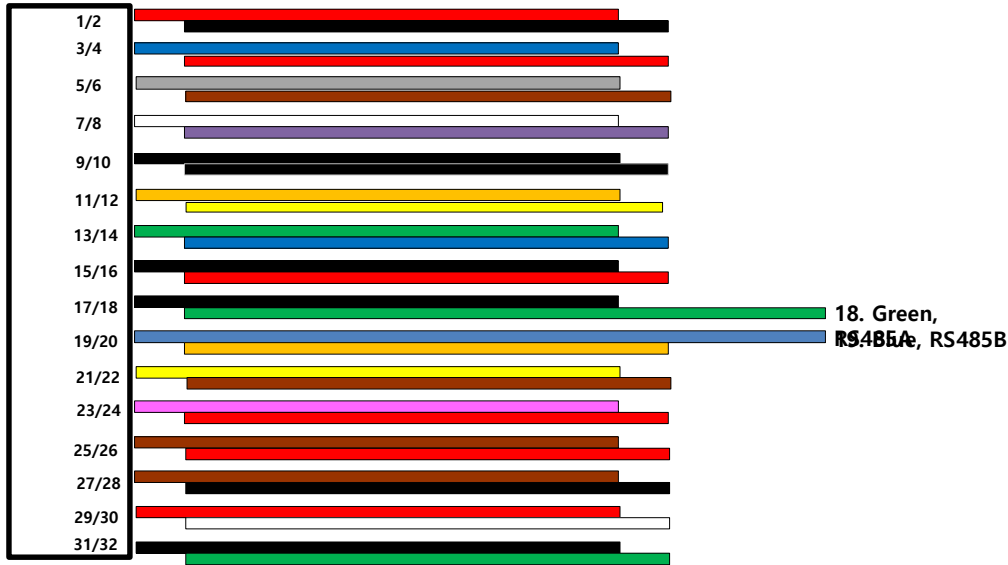


Set Printer Option:
 T/A Ticket or
 Meal Ticket
 Note: Application mode
 must be set for T/A or
 Meal as well.

Serial Printer
 SRP500

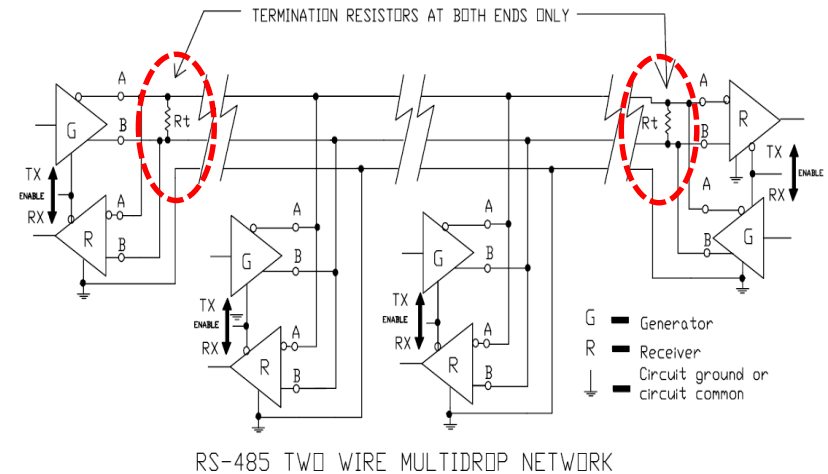
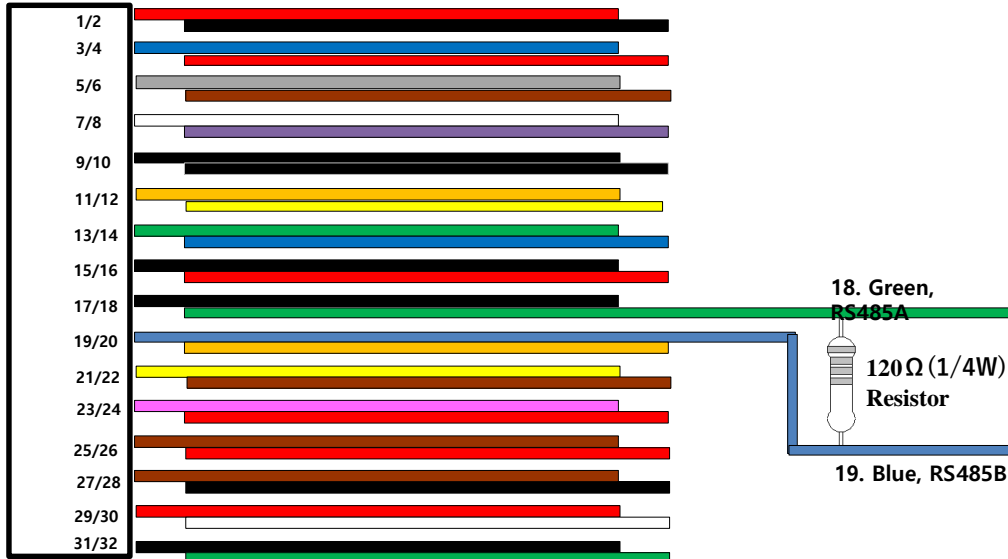
12. Resistor Setting for RS485 End Termination

12.1 External 120Ω Resistor is not connected between 485A and 485B.(Default Setting)



Set the RS485 Option to:
LC010/BLC or
Controller (MCP)

12.2 External 120Ω Resistor is connected between 485A and 485B.



13. Wiring Guide

13.1 Terminal & Exit Button

